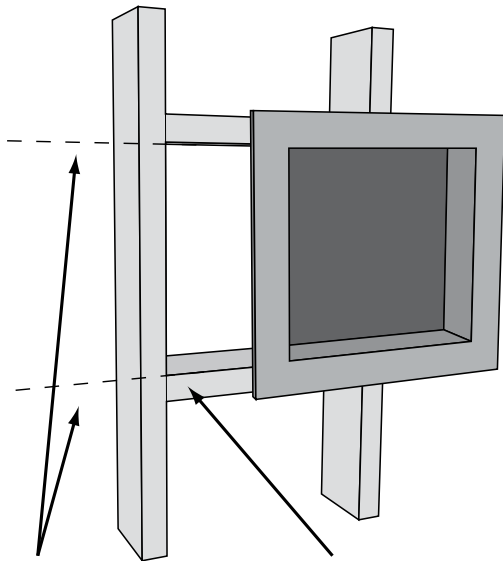


Installation Instructions

ProSpec PreFormed Niches are easy to install and ready to tile in minutes. Their unique design allows you to tile with the same tile as the surrounding walls. PreFormed Niches are one-piece construction and are guaranteed to never rot, degrade or leak. Their insulative factor does not promote condensation in the wall cavity. EASY-WATERPROOF-WORRY FREE.

Instrucciones para la instalacion

Los Nichos Pre-formados ProSpec son fáciles de instalar y están listos para embaldosar en minutos. Su diseño único le permite embaldosar con la misma loza utilizada en las paredes que le rodean. Los nichos pre-formados están contruidos en una sola pieza y estan garantizados a nunca corroerse, degradarse o gotear. Su insulador no permite/promueve condensación en la cavidad de la pared. Fácil, impermeable y libre de preocupación.

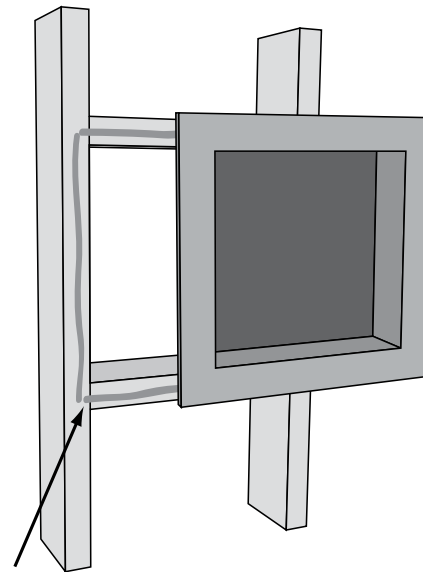


1. Position niche and mark the top and bottom of the flange between two studs (located 16" on center).

2. Nail two horizontal braces between vertical studs (optional).

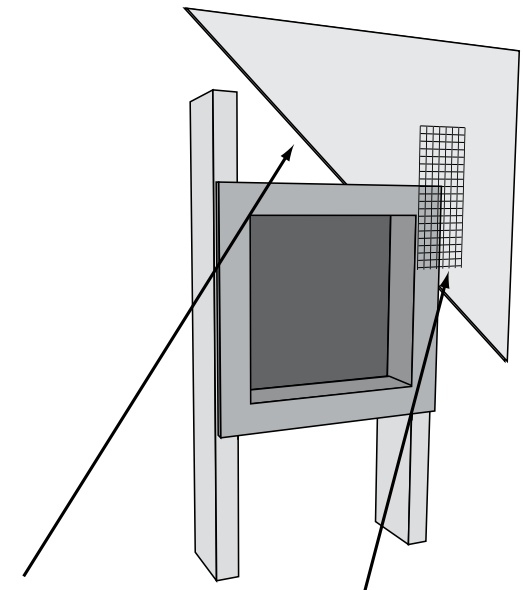
1. Posicione el nicho entre la madera y marque el área donde desea instalarlo (desde el tope hasta el final de la pre-tuberancia del nicho). Localizado a 16" al centro.

2. Clave dos pedazos de madera horizontalmente en medio de los postes verticales de soporte.



3. Caulk to cross bracing studs using ProSpec B-6000 Waterproofing or nail washers

3. Aplique "caulking" a través del cuadrado delineado, utilizando ProSpec B-6000 o clavos fijadores.



4. Install cement backer board around and butt to the niche.

4. Instale el panel de soporte de cemento alrededor y en la parte posterior del nicho.

5. Cover the joint and seal all the edges between the niche and the backerboard with the fiberglass mesh embedded in the latex modified mortar or B-6000 Waterproofing.

5. Cubra la junta y selle las orillas entre el nicho y el panel de soporte con malla de fibra de cristal cubierto en nuestro producto B-6000 latex modificado mezclado, o B-6000 a prueba de agua.

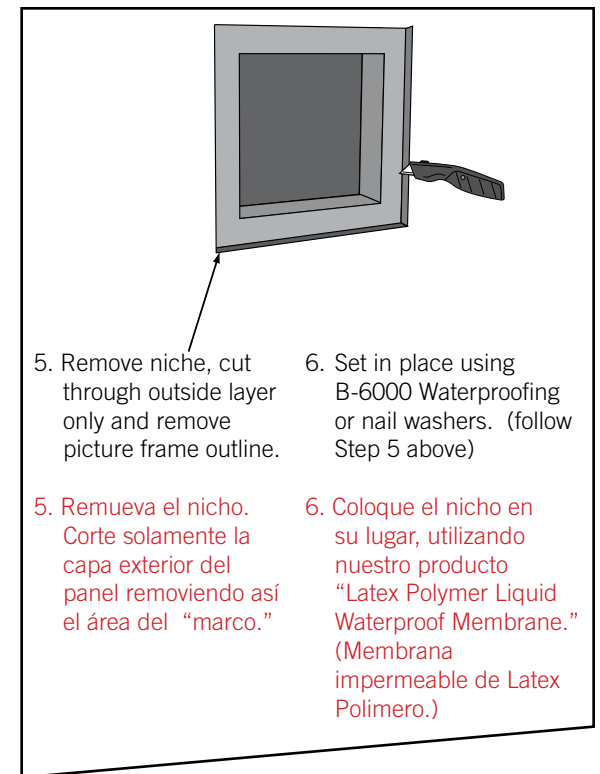
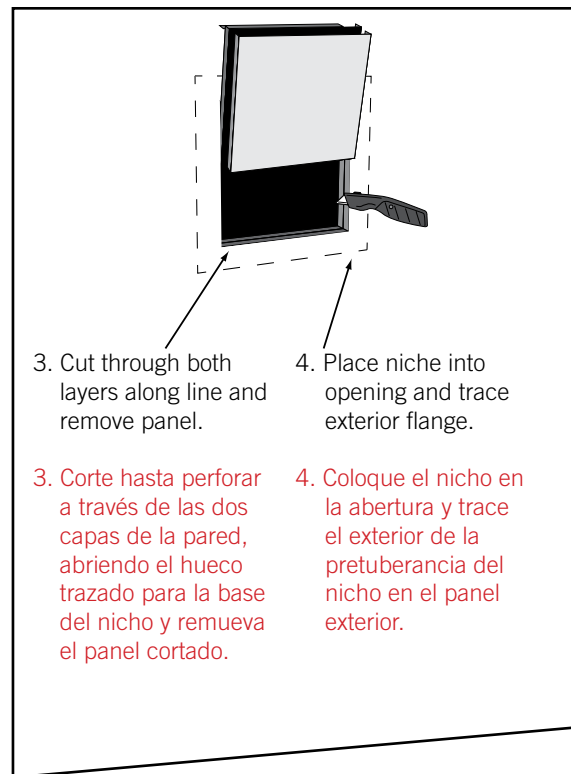
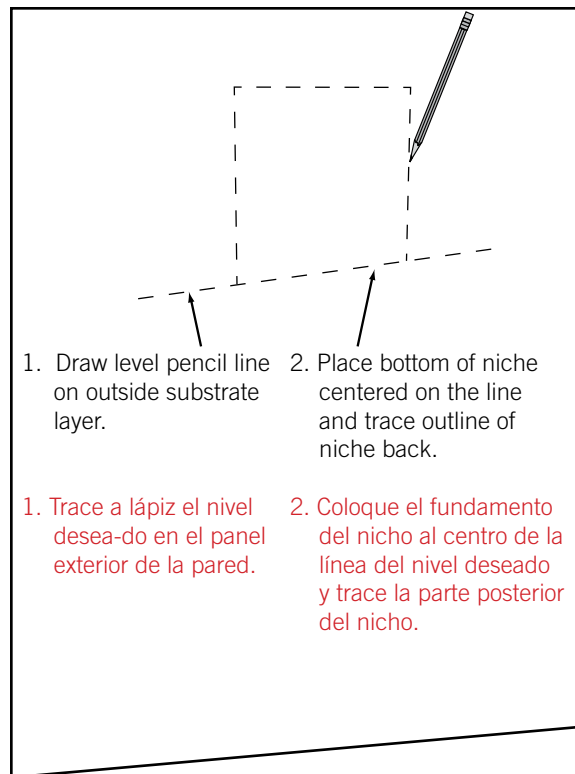
Installation: One Substrate Layer

Instalación: En paneles de una sola capa

1. Draw level pencil line on outside substrate layer.
2. Place niche with the bottom flange of the box centered on the level line.
3. Trace exterior flanges. Cut along line and remove panel.
4. Caulk to cross bracing studs using B-6000 Waterproofing or nail with nail washers (follow Step 5 above).
1. Trace a lápiz el nivel deseado en el panel exterior de la pared.
2. Coloque el nicho con el borde de la pretuberancia centrado en la línea del nivel deseado.
3. Marque por la orilla a los rebordes exteriores. Corte a lo largo de la línea y remueva el panel.
4. Fije en su sitio, utilizando nuestro producto impermeable B-6000, o utilizando clavos.

Installation: Two Substrate Layers

Instalación: En paneles de dos capas



⚠ Allow mortar or waterproofing to "dry to the touch" before installing tiles/stucco or other surface materials.

⚠ Permita que la mezcla impermeable seque al toque, antes de instalar la cerámica.

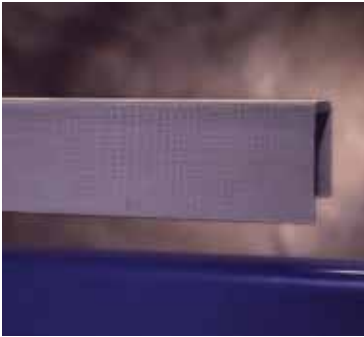
ProSpec Slopes, Curbs & Niches

Installation: Slopes



1. Measure and locate center of showerpan drain.
2. Measure from the center of the drain to the shower corners.
3. Cut pre-slope panels to length.
4. Cut around drain flange and position all pieces.
5. Install panliner as recommended by TCA Handbook at least 3" above curb.
6. Plug the inside of the drainpipe and fill the shower pan with water for 24 hours. Repair leaks before proceeding.
7. Float a 1 1/2" mortar bed on top of the panliner, using ProSpec Floor Mud. Let cure 24 hours.
8. Install tile.

Installation: Curbs



1. Install ProSpec PF-102 slope taperboards.
2. Install waterproof membrane or showerpan liner, over curb superstructure, waterproofing the shower floor.
3. Cut PF-202 curb to opening dimensions.
4. Coat top of curb structure with thin set mortar and place preform curb over pan liner.
5. Make sure curb rests completely on superstructure with thin set coating to provide a leveling and/or supporting plane.
6. After curb is leveled, place nail/washer fasteners through outside apron of curb.
7. Seal with B-6000 caulk at all wall and pan liner interfaces.
8. Install tile.

Installation: Shower Seats



1. Dry fit the seat to be sure it fits snug against the walls. Walls must be square and plumb.
2. Remove seat and completely waterproof the wall and floor behind the seat with ProSpec B-6000 waterproof membrane. Allow the B-6000 to dry completely.
3. Apply ProSpec Medium Bed PermaFlex to the wall and floor behind the bench using a 1/2" x 1/2" square notch or 19/32" half moon trowel.
NOTE: on the wall, trowel the mortar horizontally; slide the bench in the mortar and embed into the mortar on the floor, achieving complete coverage.
4. Once the Medium Bed PermaFlex is set, tape all of the seams of the bench with ProSpec B-6000 and B-6000 mesh.
5. Tile